

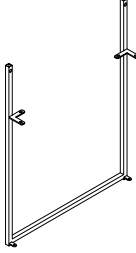





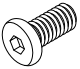

Coffee Table
CF1402



PART LIST

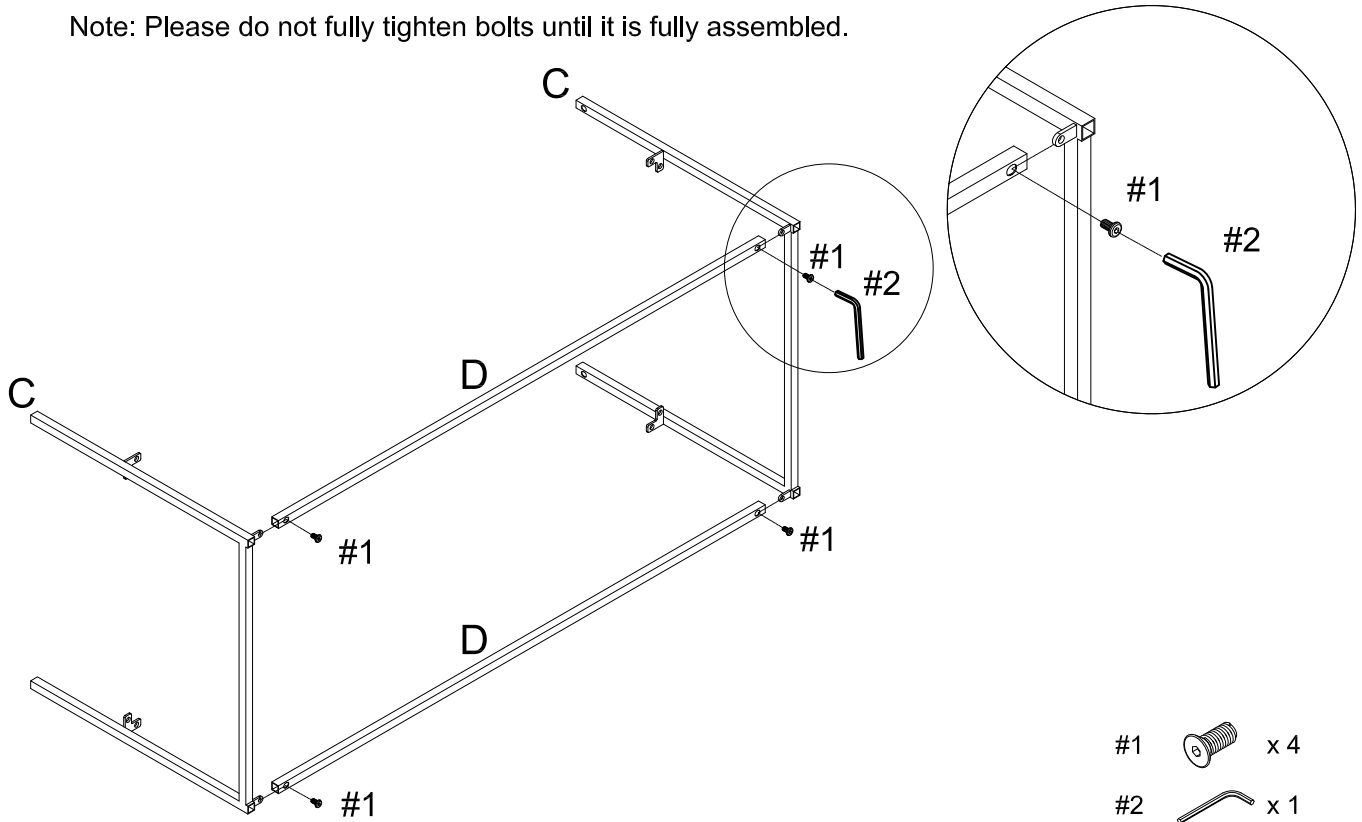
<p>A</p> 	<p>B</p> 	<p>C</p> 	<p>D</p> 
<p>Table Top 1 PC</p>	<p>Shelf Panel 1 PC</p>	<p>Side Panel 2 PCS</p>	<p>Bottom Rail 2 PCS</p>

HARDWARE LIST

<p>#1</p> 	<p>#2</p> 
<p>1/4" x 3/8"L</p> <p>Bolt 16 PCS (Extra 1)</p>	<p>Allen Wrench 1 PC</p>

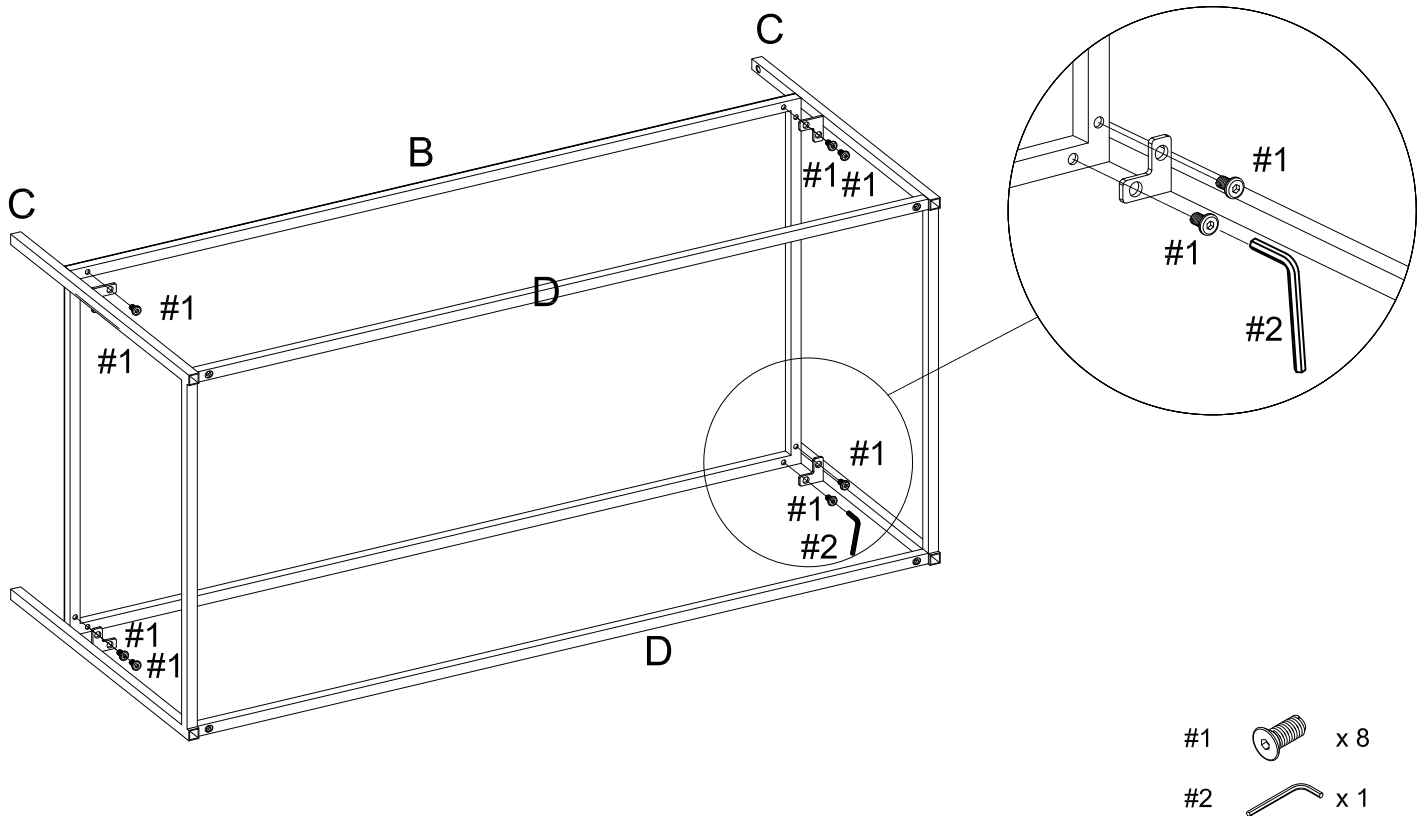
Step 1. Lay down side panels (part C) on a flat, soft surface, such as carpet. Insert bottom rails (part D) into side panels (part C) using bolts (part #1) and allen wrench (part #2).

Note: Please do not fully tighten bolts until it is fully assembled.



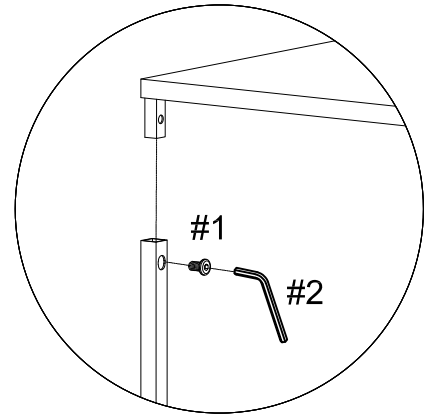
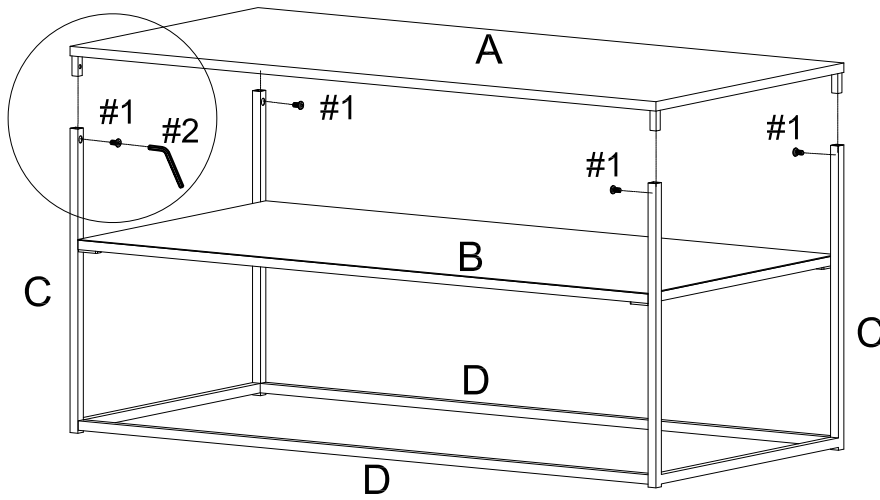
Step 2. Attach shelf panel (part B) on the L brackets of side panels (part C) using bolts (part #1) and allen wrench (part #2).

Note: Please do not fully tighten bolts until it is fully assembled.



Step 3. Carefully turn assembled unit upright. Insert table top (part A) into side panels (part C) using bolts (part #1) and allen wrench (part #2).

Note: Please fully tighten all bolts at this time.



- #1  x 4
- #2  x 1